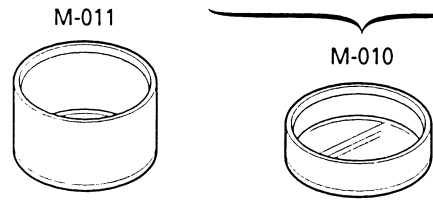
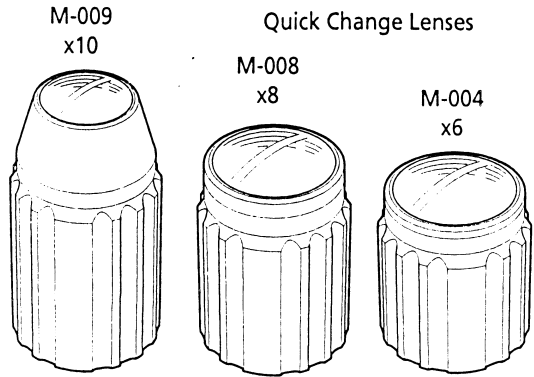


MANTIS STEREO VIEWER

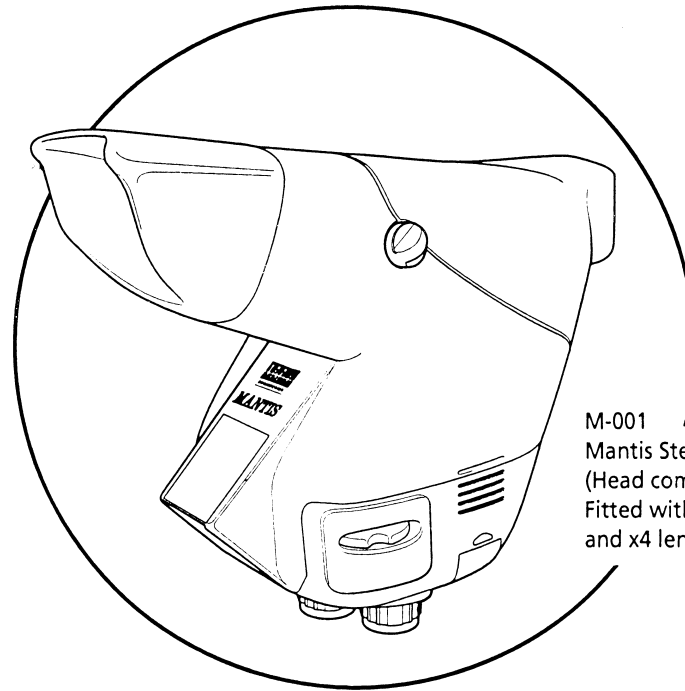
WITH FLEXIBLE STAND

OPTIONAL ACCESSORIES

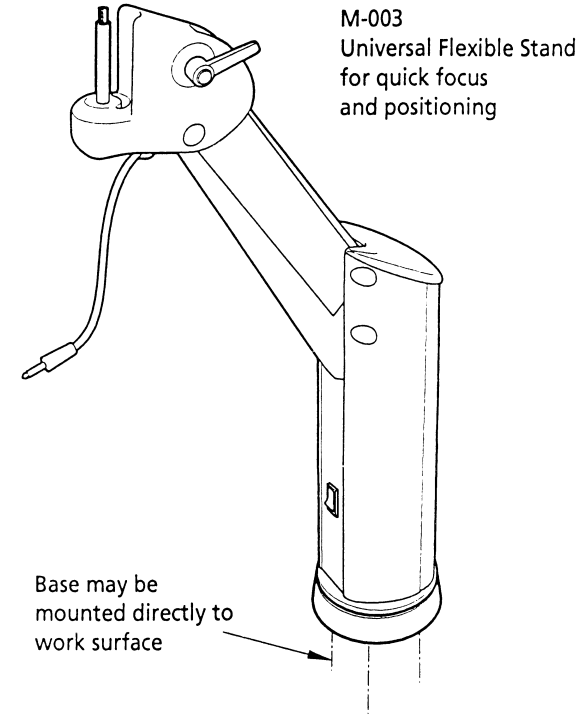


Quick Fit Lens Protection Caps
(supplied in pack of 4)

Protection caps for x2, x4, x6, x8: M-010
Protection caps for x10: M-011

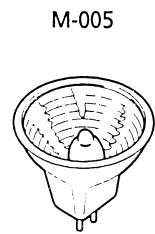


M-001
Mantis Stereo Head
(Head comes
Fitted with x2
and x4 lenses)

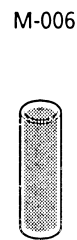


M-003
Universal Flexible Stand
for quick focus
and positioning

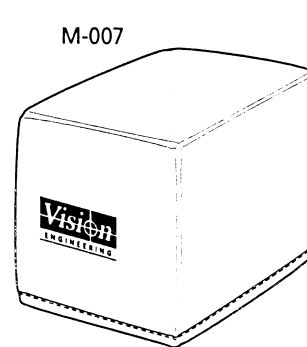
Base may be
mounted directly to
work surface



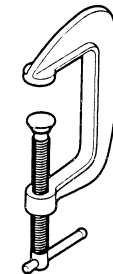
Spare Lamps
Packs of 4
12 Volt 20 Watt
Tungsten Halogen with
Dichroic Reflector



Dessicant Cartridges
(for removing moisture)
Pack of 10



Head Dust Cover



Comes with
G-Clamp for
mounting